



WWW.OSSA.PL

Product Catalog

KATALOG PRODUKTÓW 2025



www.intool.sk



ABOUT US

For as long as 28 years OSSA Machinery Works has been involved in technology of bolt connections. Since 2007 we are manufacturer and one of leaders on the global market of tools with adjustable torque for torquing and loosening bolts. We also offer services, consulting support, repairs and calibration.





ELECTRIC TORQUE WRENCHES

TORQUE RANGE UP TO 13 000 NM

straight version ZE SERIES

angular version ZEK SERIES

PAGE 4-5



PNEUMATIC TORQUE WRENCHES

TORQUE RANGE UP TO 13 000 NM

straight version ZP SERIES

angular version ZPK SERIES

PAGE 6-7



BATTERY TORQUE WRENCHES

TORQUE RANGE UP TO 8 000 NM

straight version ZA SERIES

angular version ZAK SERIES

PAGE 8-9



HYDRAULIC SQUARE DRIVE WRENCHES

TORQUE RANGE UP TO 40 000 NM

type KHN series (steel and aluminium body)

PAGE 10



HYDRAULIC LOW PROFILE WRENCHES

TORQUE RANGE UP TO 30 000 NM

type KHK series

PAGE 11



MECHANICAL MULTIPLIERS

TORQUE RANGE UP TO 10 500 NM

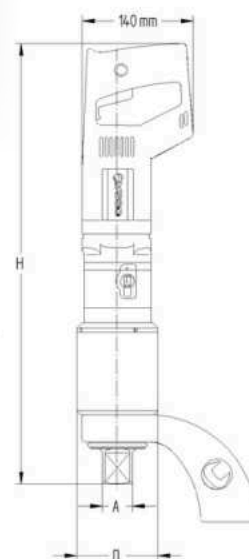
type PP series

ELECTRIC TORQUE WRENCHES

straight version **ZE[®]** series



- adjustable torque
- overload protection
- fast and operating speed
- rotation of the handle 360°
- rotation direction swift (left/right)
- electronic, high accurate controller of torque with 198 torque steps and automatic switch off
- metal box



TECHNICAL DATA

Model	ZE-9	ZE-15	ZE-25	ZE-28	ZE-35	ZE-45	ZE-60	ZE-80	ZE-100	ZE-130
Maximum torque (Nm)	900	1500	2500	2800	3500	4500	6000	8000	10000	13000
Minimum torque (Nm)	70	150	360	380	400	750	800	1700	2000	2100
A - square drive size	1"	1"	1"	1"	1 1/2"	1 1/2"	1 1/2"	1 1/2"	1 1/2"	1 1/2"
Weight (kilos, without reaction arm)	7,4	7,4	8,3	8,3	8,6	11,0	11,0	13,8	17,2	24,3
D - diameter (mm)	88	88	88	88	88	102	102	114	123	168
H - height (mm)	490	490	520	520	534	539	539	554	599	609
Rotation speed (rpm)	26	16	9	9	7	6	4	2,5	2,5	1,8

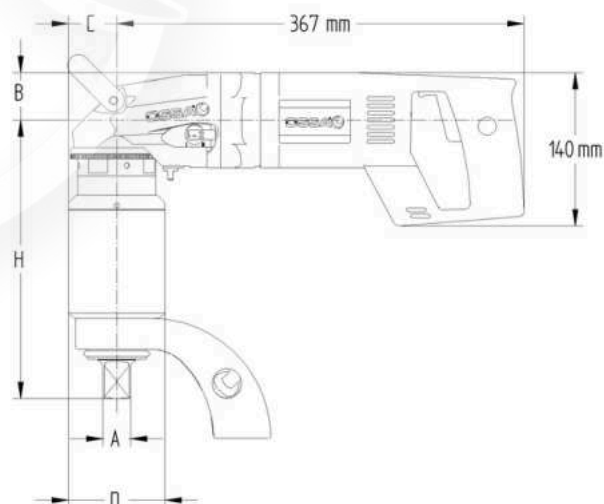
Power supply voltage 230V, accuracy +/- 3%

ELECTRIC TORQUE WRENCHES

angular version **ZEK®** series



- adjustable torque
- overload protection
- fast and operating speed
- rotation of the handle 360°
- rotation direction swift (left/right)
- electronic, high accurate controller of torque with 198 torque steps and automatic switch off
- metal box



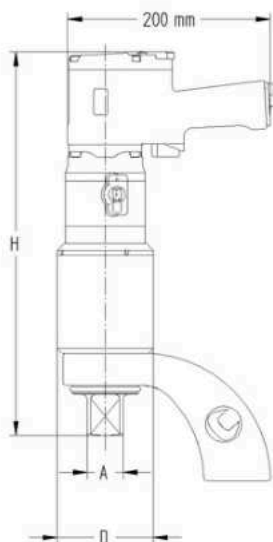
TECHNICAL DATA

Model	ZEK-9	ZEK-15	ZEK-25	ZEK-28	ZEK-35	ZEK-45	ZEK-60	ZEK-80	ZEK-100	ZEK-130
Maximum torque (Nm)	900	1500	2 500	2 800	4 500	4 500	6 000	8 000	10 000	13 000
Minimum torque (Nm)	70	150	360	380	400	750	800	1 700	2 000	2 100
A - square drive size	1"	1"	1"	1"	1 1/2"	1 1/2"	1 1/2"	1 1/2"	1 1/2"	1 1/2"
Weight (kilos, without reaction arm)	9,1	9,8	10,0	10,0	10,8	12,3	12,3	14,1	19	25,6
D - diameter (mm)	88	88	88	88	88	102	102	114	123	168
H - height (mm)	221	221	251	251	265	270	270	284	330	339
C (mm)	44	44	44	44	44	51	51	57	61	84
B (mm)	42	42	42	42	42	42	42	42	42	42
Rotation speed (rpm)	26	16	9	9	7	6	4	2,5	2,5	1,8

Power supply voltage 230V, accuracy +/- 3%

PNEUMATIC TORQUE WRENCHES

straight version **ZP®** series



- adjustable torque
- overload protection
- fast and operating speed
- rotation of the handle 360°
- rotation direction swift (left/right)
- stepless torque adjust via compressed air preparation unit
- **air control unit and metal box included in the set**

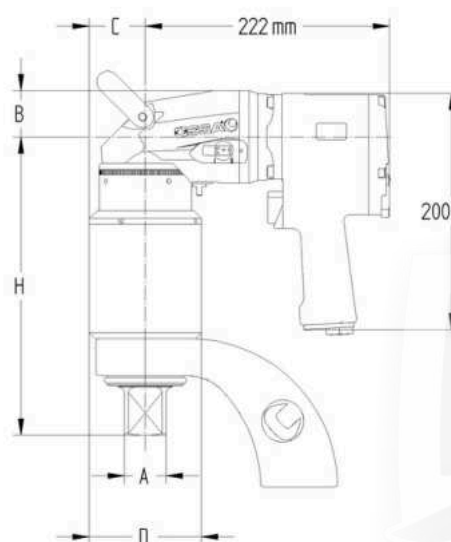
TECHNICAL DATA

Model	ZP-9	ZP-15	ZP-25	ZP-30	ZP-35	ZP-45	ZP-60	ZP-80	ZP-100	ZP-130
Maximum torque (Nm)	900	1500	2 500	3 000	3 500	4 500	6 000	8 000	10 000	13 000
Minimum torque (Nm)	60	60	150	150	150	150	300	500	550	800
A - square drive size	1"	1"	1"	1"	1 1/2"	1 1/2"	1 1/2"	1 1/2"	1 1/2"	1 1/2"
Weight (kilos, without reaction arm)	7,7	7,7	8,7	8,7	9,6	11,4	11,4	12,7	17,2	25,0
D - diameter (mm)	88	88	88	88	88	102	102	114	123	168
H - height (mm)	357	357	387	387	401	406	406	421	466	476
Rotation speed (rpm)	42	33	12	12	10,5	7,5	6	4	2	1,5

Compressed air consumption - 680l/min., accuracy +/- 3%

PNEUMATIC TORQUE WRENCHES

angular version **ZPK®** series



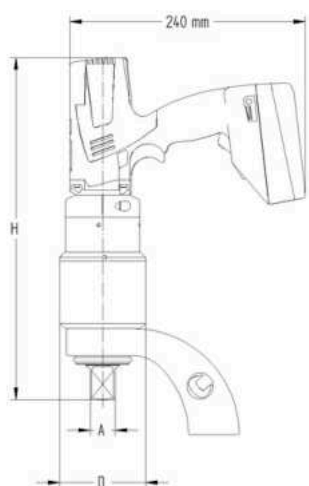
- adjustable torque
- overload protection
- rotation direction swift (left/right)
- rotation of the handle 360°
- fast and operating speed
- stepless torque adjust via compressed air preparation unit
- **air control unit and metal box included in the set**

TECHNICAL DATA

Model	ZPK-9	ZPK-15	ZPK-25	ZPK-30	ZPK-35	ZPK-45	ZPK-60	ZPK-80	ZPK-100	ZPK-130
Maximum torque (Nm)	900	1 500	2 500	2 800	3 500	4 500	6 000	8 000	10 000	13 000
Minimum torque (Nm)	60	60	150	150	150	150	300	500	550	800
A - square drive size	1"	1"	1"	1"	1 1/2"	1 1/2"	1 1/2"	1 1/2"	1 1/2"	1 1/2"
Weight (kilos, without reaction arm)	9,1	9,1	11,2	11,2	11,2	13,2	13,2	14,3	18,8	26,4
D - diameter (mm)	88	88	88	88	88	102	102	114	123	168
H - height (mm)	221	221	251	251	265	270	270	284	330	339
C (mm)	44	44	44	44	44	51	51	57	61	84
B (mm)	42	42	42	42	42	42	42	42	42	42
Rotation speed (rpm)	42	33	12	12	10,5	7,5	6	4	2	1,5

BATTERY TORQUE WRENCHES

straight version **ZA[®]** series



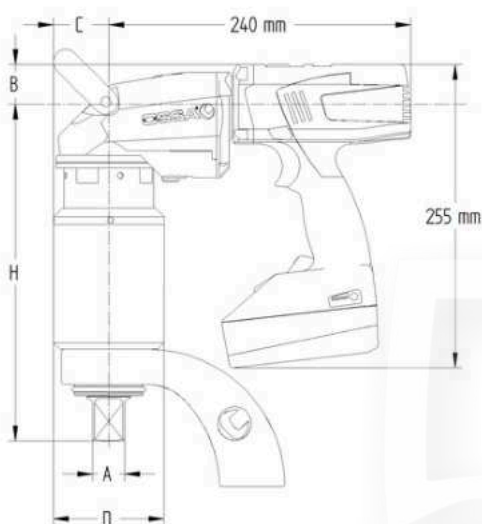
- adjustable torque
- rotation of the handle 360°
- rotation direction swift (left/right)
- fast operation with 4 gear transmission
- electronic, high accurate controller of torque with up to 60 torque steps
- **230V battery charger, 2 batteries 4.0 ÷ 8.0 Ah and metal box included in the set**

TECHNICAL DATA

Model	ZA-9	ZA-20	ZA-30	ZA-42	ZA-48	ZA-60	ZA-80
Maximum torque (Nm)	950	2 000	3 000	4 200	4 700	6 000	8 000
Minimum torque (Nm)	100	130	130	140	140	150	150
A - square drive size	1"	1"	1"	1 1/2"	1 1/2"	1 1/2"	1 1/2"
Weight (kilos, without reaction arm)	6,5	7,6	7,6	9,6	9,6	9,6	11,5
D - diameter (mm)	88	88	88	102	102	102	114
H - height (mm)	350	380	380	402	402	402	416,5
Gear 1 - rotation speed (rpm)	5	2,3	1,7	1,1	1,1	1,1	1,1
Gear 2 - rotation speed (rpm)	10	4,4	3,4	2,3	2,3	2,3	2,3
Gear 3 - rotation speed (rpm)	24	10	6,5	5,1	5,1	5,1	5,1
Gear 4 - rotation speed (rpm)	48	20	13	9,6	9,6	9,6	9,6

BATTERY TORQUE WRENCHES

angular version **ZAK**® series



- adjustable torque
- rotation of the handle 360°
- rotation direction swift (left/right)
- fast operation with 4 gear transmission
- electronic, high accurate controller of torque with up to 60 torque steps
- **230V battery charger, 2 batteries 4.0 ÷ 8.0 Ah and metal box included in the set**

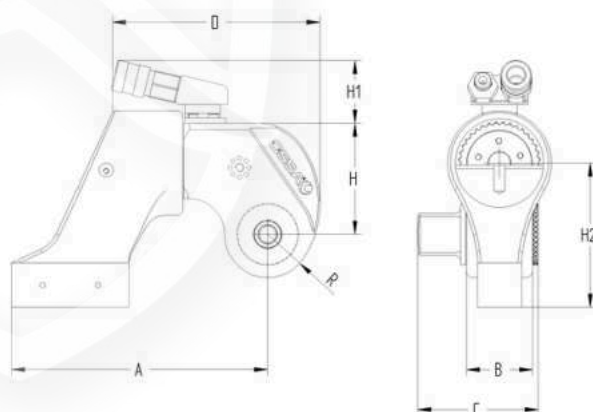
TECHNICAL DATA

Model	ZAK-9	ZAK-20	ZAK-30	ZAK-42	ZAK-48	ZAK-60	ZAK-80
Maximum torque (Nm)	950	2 000	3 000	4 200	4 700	6 000	8 000
Minimum torque (Nm)	100	130	130	140	140	150	150
A - square drive size	1"	1"	1"	1 1/2"	1 1/2"	1 1/2"	1 1/2"
Weight (kilos, without reaction arm)	7,5	8,5	8,5	11,6	11,6	11,6	12,5
D - diameter (mm)	88	88	88	102	102	102	114
H - height (mm)	221	251	251	270	270	270	284
C (mm)	44	44	44	51	51	51	57
B (mm)	48	48	48	48	48	48	48
Gear 1 - rotation speed (rpm)	5	2,2	1,7	1,1	1,1	1,1	1
Gear 2 - rotation speed (rpm)	10	4,4	3,4	2,3	2,3	2,3	2,2
Gear 3 - rotation speed (rpm)	24	10	6,5	5,1	5,1	5,1	5
Gear 4 - rotation speed (rpm)	48	20	13	9,6	9,6	9,6	9

HYDRAULIC SQUARE DRIVE TORQUE WRENCHES

type **KHN**® series

- maximum working pressure 800 bar
- movable 360° connection for 2 hoses
- small radius of the wrench head
- high accuracy of repeatability +/- 3%
- reaction arm fitted for all application
- metal box



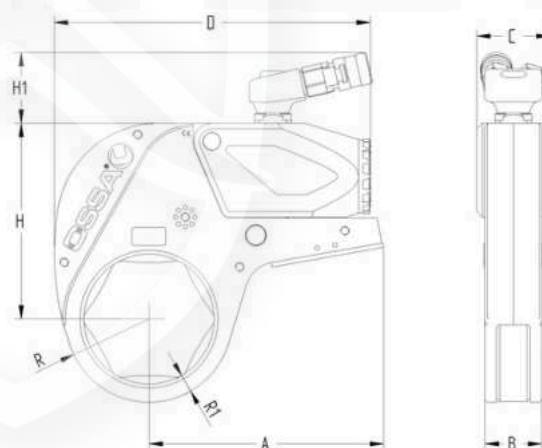
TECHNICAL DATA

Model	KHN-20	KHN-45	KHN-80	KHN-110	KHN-170	KHN-270	KHN-400
Maximum torque (Nm)	2 000	4 500	8 000	11 000	17 000	27 000	40 000
Square drive size (square)	3/4" - 1"	1"	1 1/2"	1 1/2"	1 1/2" - 2 1/2"	2 1/2"	2 1/2"
Weight (kilos)	2,7	4,3	6,8	7,5	11,3	19	40,6
A (mm)	145	194	231	250	270	300	365
B (mm)	42	50	60	66	76	87	132
C (mm)	72-76	89	109	115	125-139	150	193
D (mm)	119	160	187	208	230	276	331
R (mm)	24	34	39	42,5	49	57	66
H (mm)	67	87	100	107	121	148	183
H1 (mm)	55	55	55	55	55	55	55
H2 (mm)	91	109	130	143	168	183	224
Aluminium body	X	X	X	X	X	X	
Steel body		X	X	X			X

HYDRAULIC LOW PROFILE TORQUE WRENCHES

type **KHK**® series

- maximum working pressure 800 bar
- movable 360° connection for 2 hoses
- small radiuses
- high accuracy of repeatability +/- 3%
- suitable for all applications due to fla design
- quick and easy replace of hex adapters and size reduction sockets
- metal box



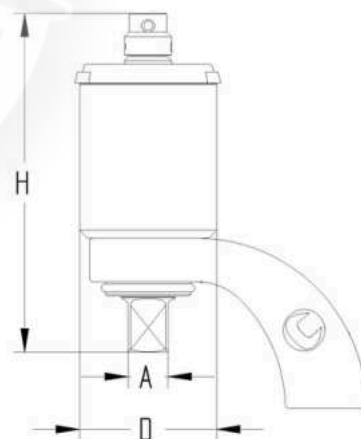
TECHNICAL DATA

Model	KHK-3	KHK-6	KHK-12	KHK-24
Maximum torque (Nm)	3 000	6 000	12 000	24 000
Minimum torque (Nm)	225	450	850	1 800
Weight (kilos)	1,2	1,9	2,9	5,2
Hex adapters size (WK)	30-60	41-85	55-120	65-145
Hex adapters radius (R) (mm)	25,5-45,5	34,5-62,5	46,5-85,5	59-105
A (mm)	127	167-186,5	201,5-220	253-288
B (mm)	32	40	50	65
C (mm)	45	55	65	85
D (mm)	160-172	212-234	251-290	300-360
R (mm)	25-45	34-62	46-85	59-105
R1 (mm)	8-10	10-14	13-16	18-21
H (mm)	105	126-133	149-177	212-229
H1 (mm)	60	60	60	60

MECHANICAL MULTIPLIERS

PP® series

- high torque
- small dimensions
- simple in operation
- left/right rotation
- anti-reverse rotation
- designed for tightening bolts with adjustable torque in combination with torque wrench



TECHNICAL DATA

Model	PP-40	PP-57	PP-105
Maximum torque (Nm)	4 000	5 700	10 500
Minimum torque (Nm)	520	660	1 820
Square drive size A	1"	1 1/2"	1 1/2"
Maximum input torque (Nm)	320	340	270
Square drive IN size	1/2"	3/4"	1/2"
Ratio	1:16	1:18	1:60
Diameter (mm)	88	102	123
Height (mm)	217	236	299
Weight (kilos, without reaction arm)	4,8	7	13



WWW.OSSA.PL

Contact

OSSA MACHINERY WORKS
43-100 TYCHY, POLAND
72 OBJAZDOWA STR.
www.ossa.pl

